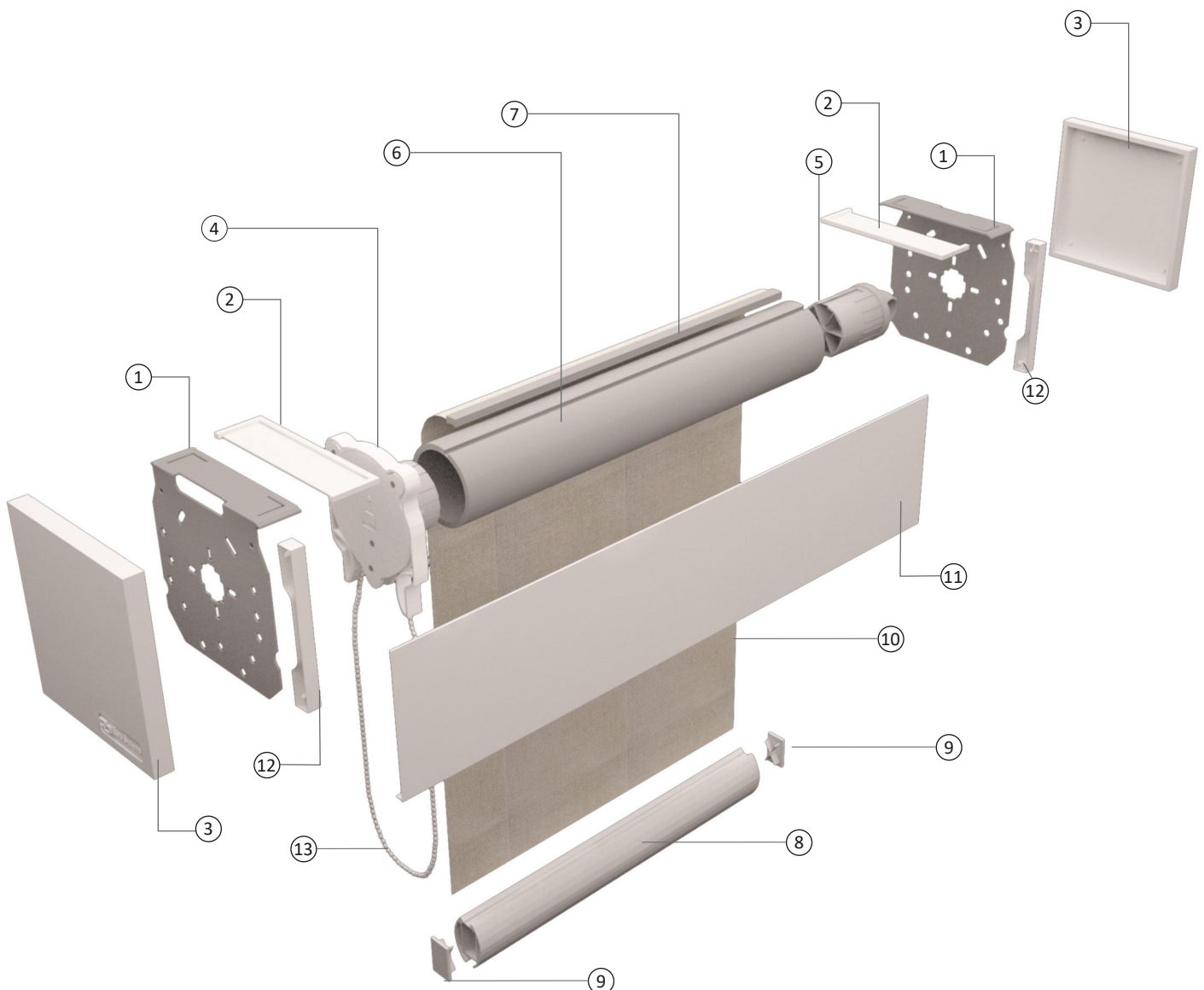


Salire™ 100

Manual chain roller system

Key Features :

- 4:1 ratio chain mechanism for easy operation on large blinds
- Built in auto stop mechanism for upper and lower limit setting
- Robust anti-deflection 47mm diameter tube
- Aesthetic end caps
- Aesthetic aluminum fascia available as an option
- Face, top or wall fixing options
- Additional weighting by steel profile is possible (Only with exposed bottom bar)



Note. The illustration above might change subject to design improvements

1. Mounting brackets
2. Bracket end cap
3. Bracket cover

4. Operating clutch
5. End plug
6. Tube

7. Mounting spline
8. Hem bar
9. End cap hem bar

10. Fabric
11. Optional fascia
12. Fascia support
13. Ball chain