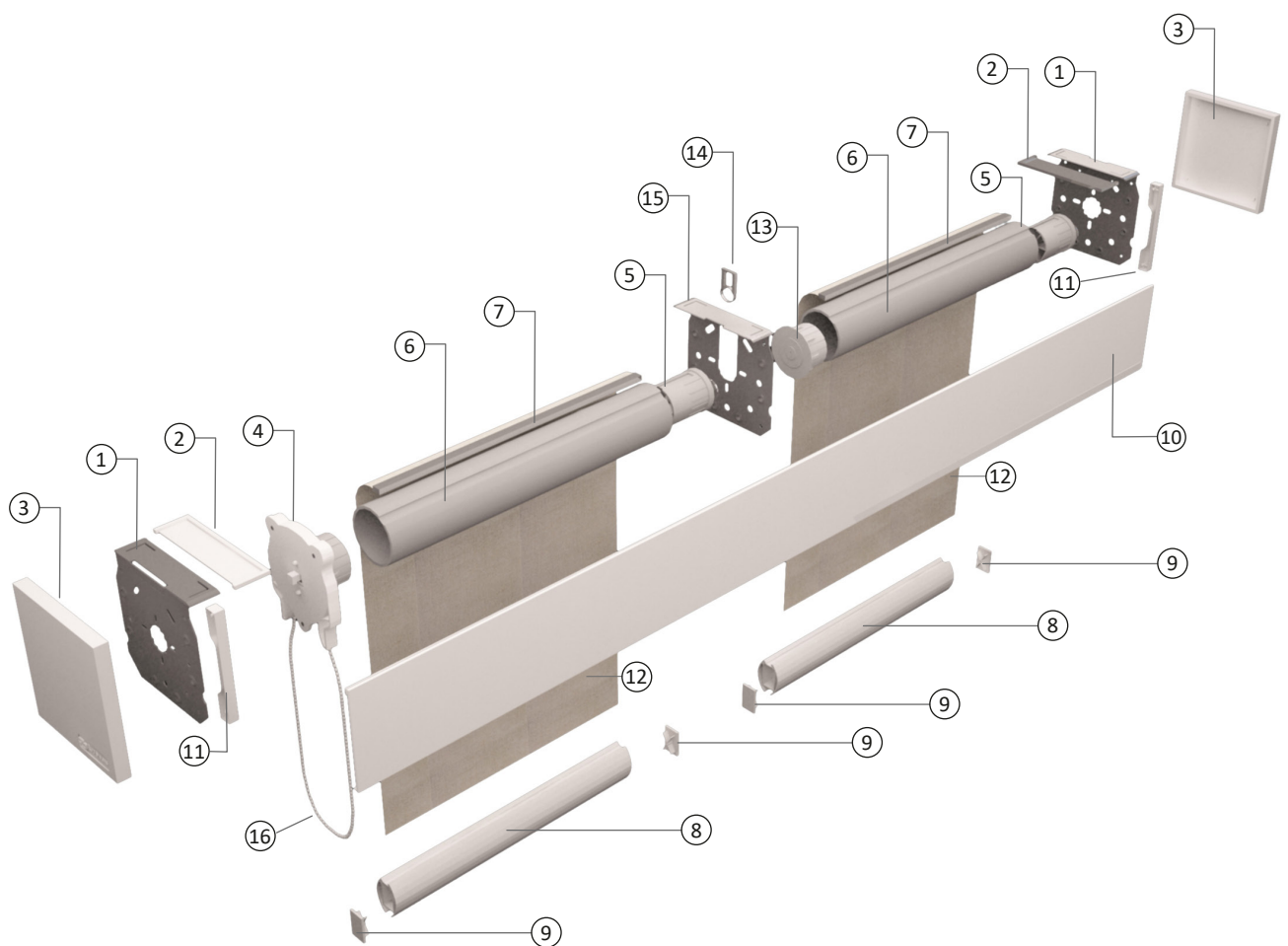


Salire™ 100-MB

Multi band roller system

Key Features :

- 4:1 ratio chain mechanism for easy operation on large blinds
- Up to 9 m² multi band operation with a single mechanism (max fabrics weight 8 kg)
- Built in auto stop mechanism for upper and lower limit setting
- Robust anti-deflection 47mm diameter tube
- Aesthetic end caps
- Aesthetic aluminum fascia available as an option
- Face, top or wall fixing options
- Additional weighting by steel profile is possible (Only with exposed bottom bar)



Note. The illustration above might change subject to design improvements

1. Mounting brackets
2. Bracket end cap
3. Bracket cover
4. Operating clutch

5. End plug
6. Tube
7. Mounting spline
8. Hem bar

9. End cap hem bar
10. Optional Fascia
11. Fascia Support
12. Fabric

13. Center end plug
14. Bearing plug
15. Center support bracket
16. Ball chain