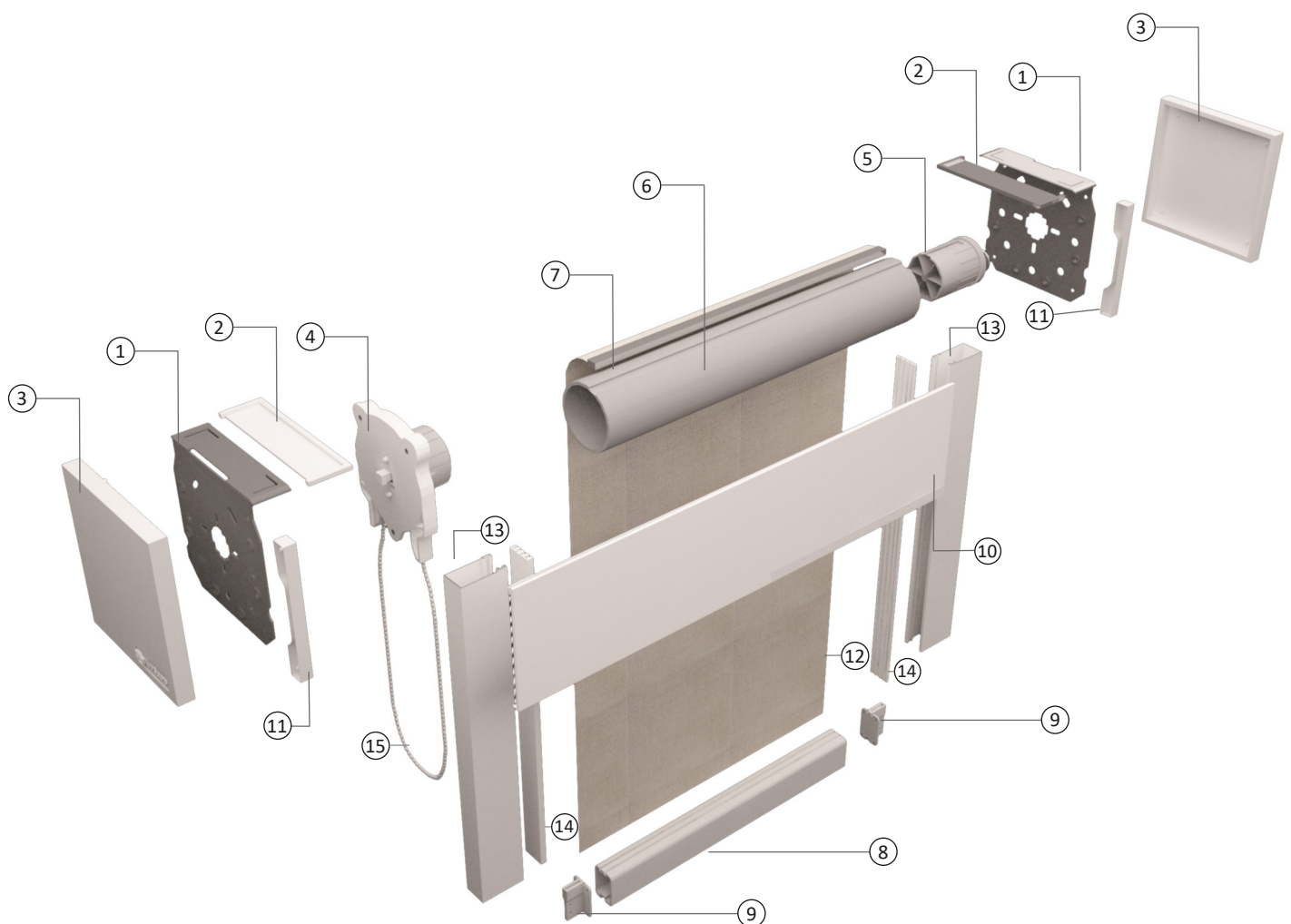


## Salire™ 100-ZC

Roller system with zipper channel

### Key Features :

- AV system or room darkening
- The zipper channel stabilizes the roller blind
- Built in auto stop mechanism for upper and lower limit setting
- Robust anti-deflection 47 mm diameter tube
- Aesthetic end caps
- Aesthetic aluminum fascia available as an option
- Face, top or wall fixing options
- Additional weightening by steel profile is possible (Only with exposed bottom bar)



Note. The illustration above might change subject to design improvements

1. Mounting brackets	5. End plug	9. End cap hem bar	13. Zipper channel
2. Bracket end cap	6. Tube	10. Optional fascia	14. Zipper
3. Bracket cover	7. Mounting spline	11. Fascia support	15. Ball chain
4. Operating clutch	8. Hem bar	12. Fabric	