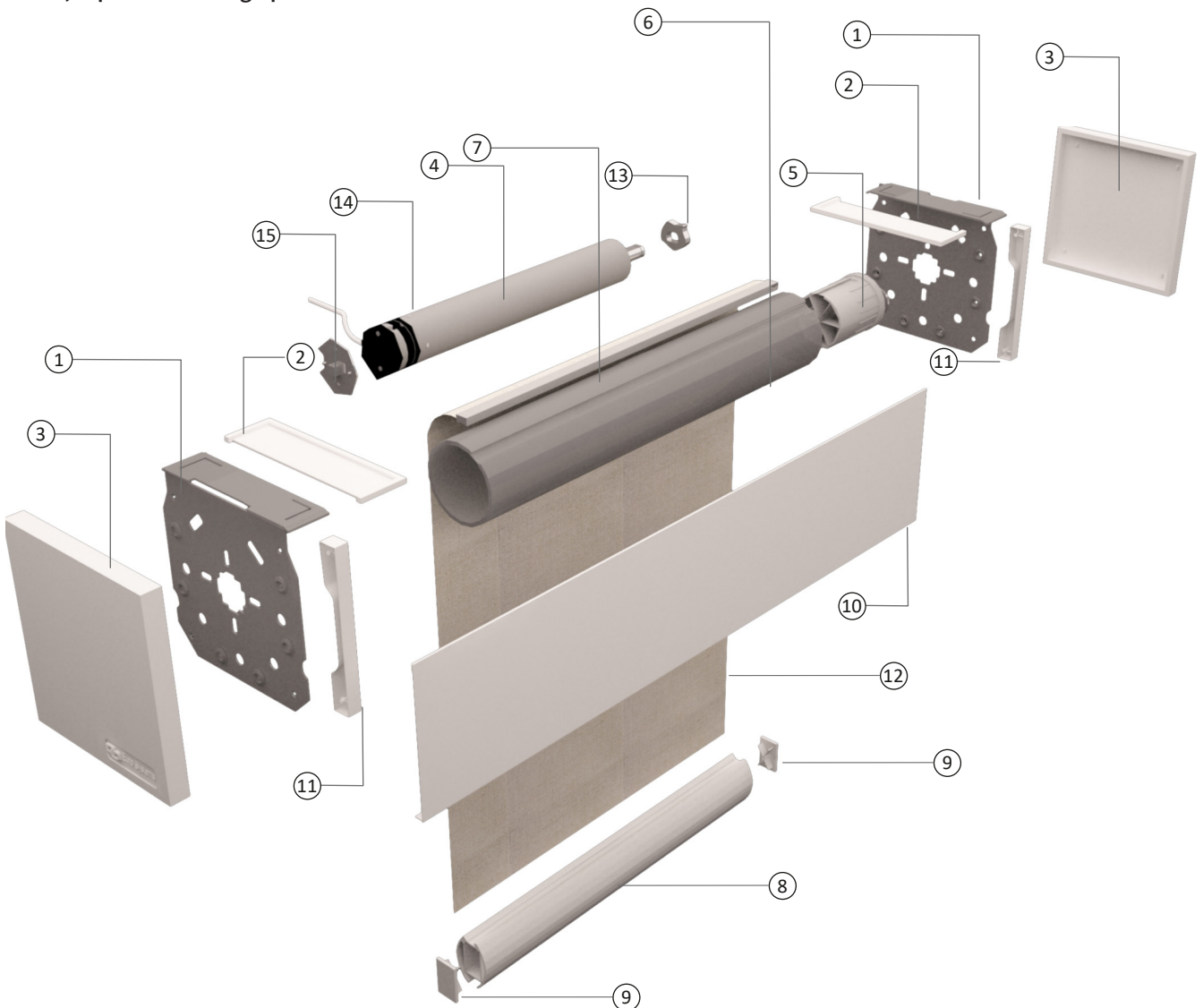


Serena® 100

Motorized roller system

Key Features :

- Heavy duty VRS 230 VAC or SMI 230 VAC/24 VDC motor installed within the roller blind tube
- Up to 20 m² blind with a single motor system
- Built in auto stop mechanism for upper and lower limit setting
- Robust anti-deflection duty 47mm diameter tube
- Aesthetic end caps
- Aesthetic aluminum fascia available as option
- Face, top or wall fixing options



Note. The illustration above might change subject to design improvements

1. Mounting brackets
2. Bracket end cap
3. Bracket cover
4. Motor

5. End plug
6. Tube
7. Mounting spline
8. Hem bar

9. End cap hem bar
10. Optional fascia
11. Fascia support
12. Fabric

13. Shaft adapter
14. Crown wheel
15. Motor plate