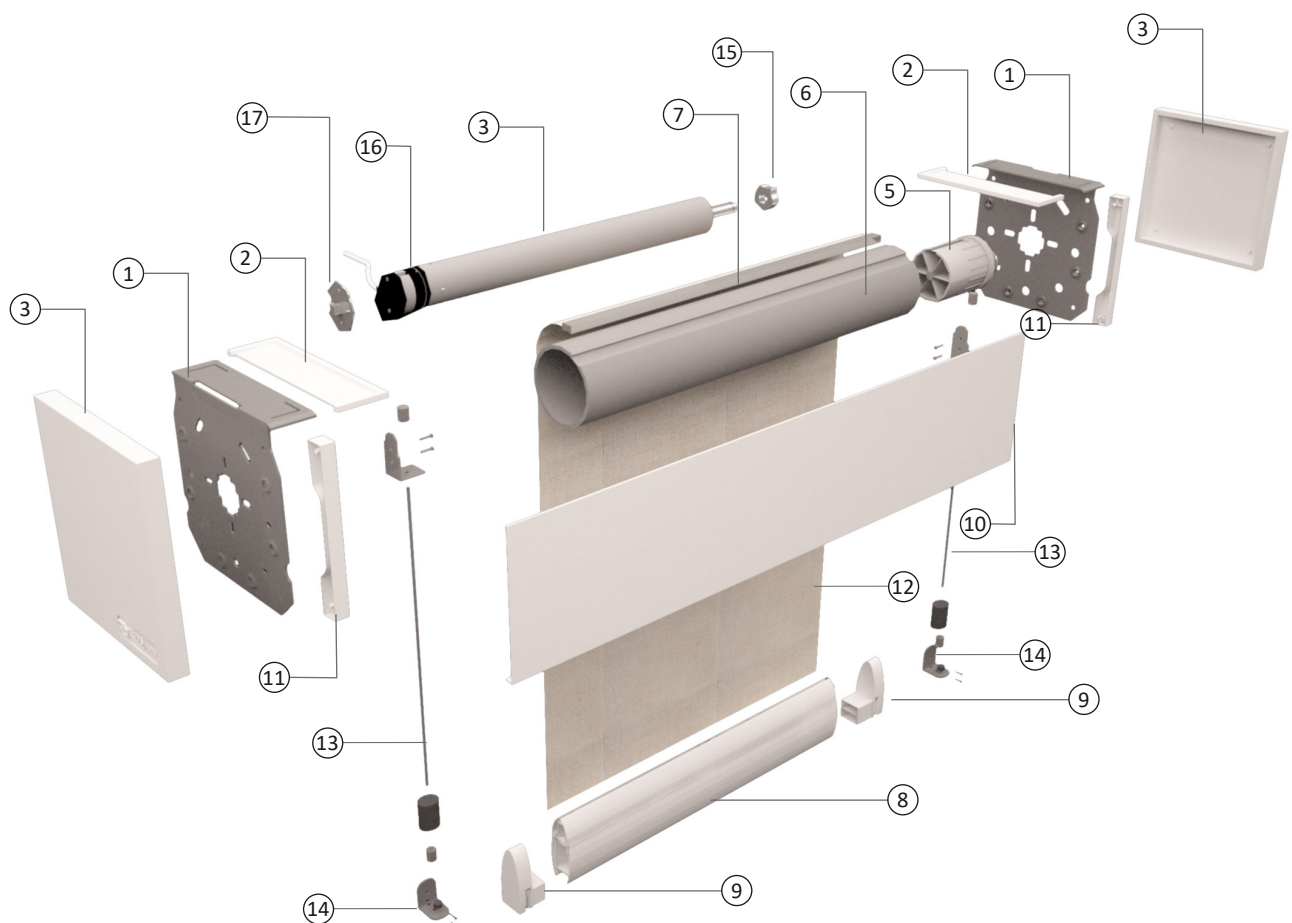


## Serena® 100-GW

Motorized roller system with guide wire

### Key Features :

- Heavy duty VRS 230 VAC or SMI 230 VAC / 24 VDC motor installed within the roller blind tube
- Up to 20 m<sup>2</sup> blind with a single motor system
- The guide wire stabilizes the roller blind
- Built in auto stop mechanism for the upper and lower limit setting
- Robust anti deflection duty 47mm diameter tube
- Aesthetic aluminum fascia available as option
- Face, top or wall fixing options



Note. The illustration above might change subject to design improvements

|                      |                    |                     |                       |                 |
|----------------------|--------------------|---------------------|-----------------------|-----------------|
| 1. Mounting brackets | 5. End plug        | 9. End cap hem bar  | 13. Guide wire        | 16. Crown wheel |
| 2. Bracket end cap   | 6. Tube            | 10. Optional fascia | 14. Holder guide wire | 17. Motor plate |
| 3. Bracket cover     | 7. Mounting spline | 11. Fascia support  | 15. Shaft adapter     |                 |
| 4. Motor             | 8. Hem bar         | 12. Fabric          |                       |                 |