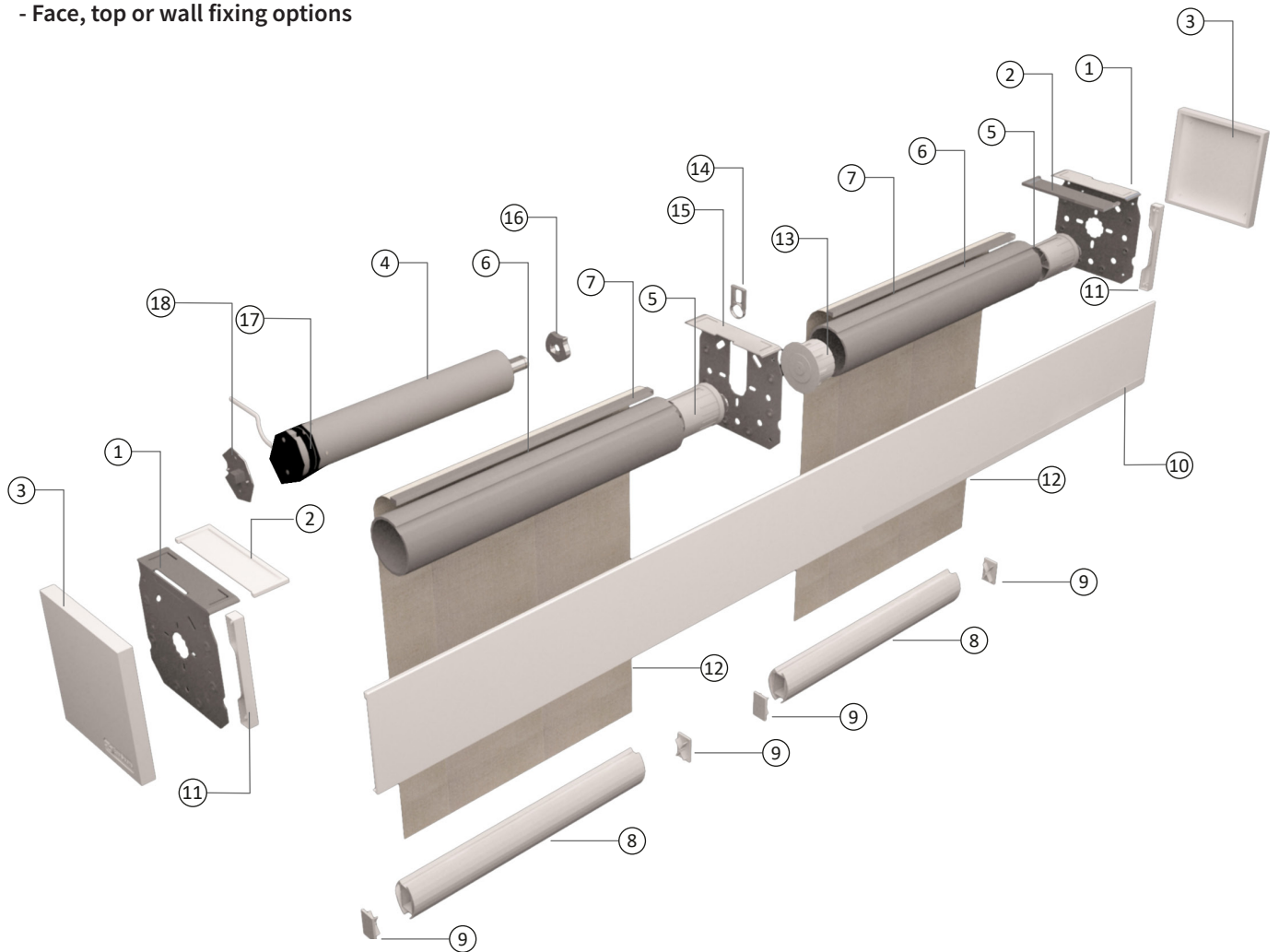


## Serena® 100-MB

Multi band motorized roller system

### Key Features :

- Heavy duty VRS 230 VAC or SMI 230 VAC / 24 VDC motor installed within the roller blind tube
- Up to 20 m<sup>2</sup> blind with a single motor system
- Built in auto stop mechanism for the upper and lower limit setting
- Robust anti deflection duty 47mm diameter tube
- Aesthetic end caps
- Aesthetic aluminum fascia is also available
- Face, top or wall fixing options



Note. The illustration above might change subject to design improvements

|                      |                    |                     |                            |                 |
|----------------------|--------------------|---------------------|----------------------------|-----------------|
| 1. Mounting brackets | 5. End plug        | 9. End cap hem bar  | 13. Center end plug        | 17. Crown wheel |
| 2. Bracket end cap   | 6. Tube            | 10. Optional fascia | 14. Bearing clip           | 18. Motor plate |
| 3. Bracket cover     | 7. Mounting spline | 11. Fascia support  | 15. Center support bracket |                 |
| 4. Motor             | 8. Hem bar         | 12. Fabric          | 16. Shaft adapter          |                 |