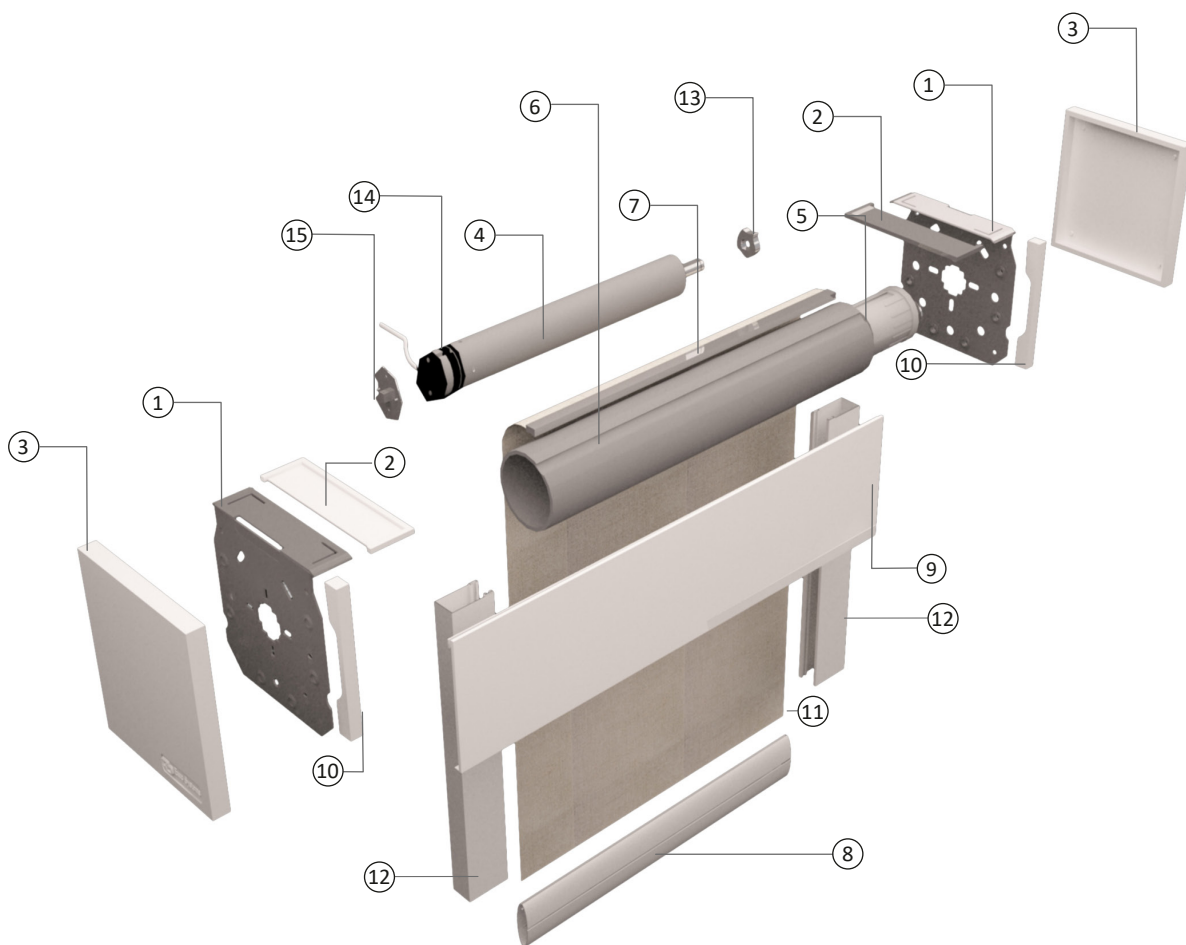


Serena® 100-SG

Motorized roller system with side guide

Key Features :

- Heavy duty VRS 230 VAC or SMI 230 VAC / 24 VDC motor installed within the roller blind tube
- Up to 20 m² blind with a single motor system
- The zipper channel stabilizes the roller blind
- Built in auto stop mechanism for the upper and lower limit setting
- Robust anti-deflection duty 47 mm diameter tube
- Aesthetic end caps
- Aesthetic aluminum fascia available as option
- Face, Top or wall fixing options



Note. The illustration above might change subject to design improvements

1. Mounting brackets
2. Bracket end cap
3. Bracket cover
4. Motor

5. End plug
6. Tube
7. Mounting spline
8. Hem bar

9. Optional fascia
10. Fascia support
11. Fabric
12. Side guide

13. Shaft adapter
14. Crown wheel
15. Motor plate