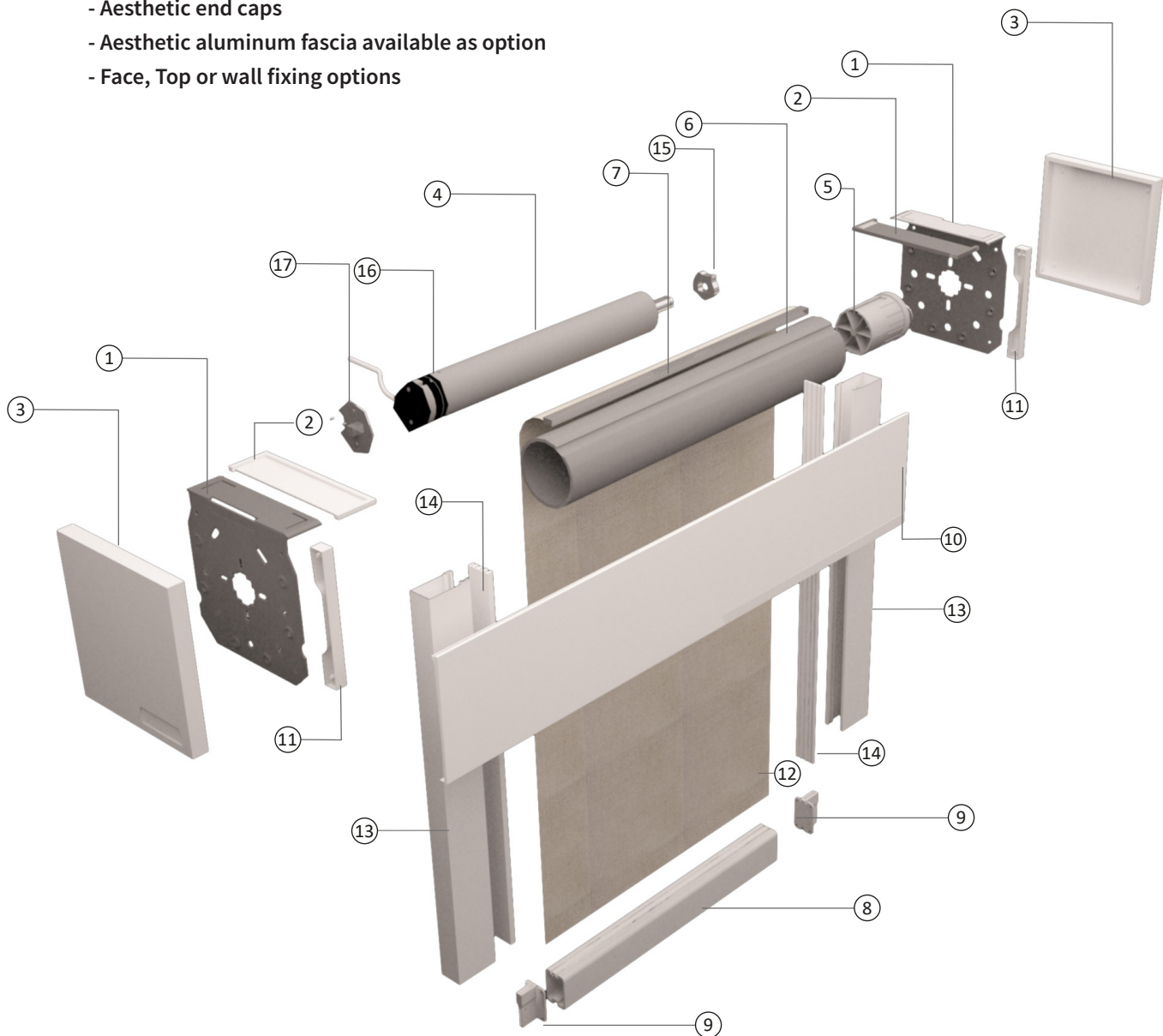


Serena® 100-ZC

Motorized roller system with zipper channel

Key Features :

- Heavy duty VRS 230 VAC or SMI 230 VAC / 24 VDC motor installed within the roller blind tube
- Up to 20 m² blind with a single motor system
- The zipper channel stabilizes the roller blind
- Built in auto stop mechanism for the upper and lower limit setting
- Robust anti-deflection duty 47 mm diameter tube
- Aesthetic end caps
- Aesthetic aluminum fascia available as option
- Face, Top or wall fixing options



Note. The illustration above might change subject to design improvements

1. Mounting brackets	5. End plug	9. End cap hem bar	13. Zipper channel	17. Motor plate
2. Bracket end cap	6. Tube	10. Optional fascia	14. Zipper	
3. Bracket cover	7. Mounting spline	11. Fascia support	15. Shaft adapter	
4. Motor	8. Hem bar	12. Fabric	16. Crown wheel	